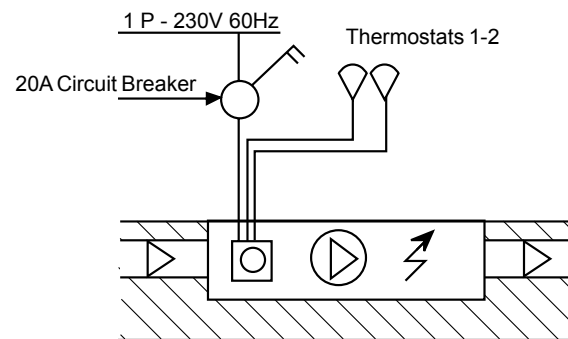


The 3200E heating unit is installed in the foundation slab or suspended floor, and contains a fan and two heating elements, with a nominal output of 3 kW, and is controlled by 1 or 2 external 24V electric room thermostats.

FUNCTION

The 3200E is controlled by one (single zone) or two (dual zone) external 24V electric room thermostats. These external thermostats operate the heating coils and fan when the room needs heat.

The 3200E can benefit from two-tiered energy rates for night storage of less expensive energy in the LEGALETT heated floor with appropriate thermostat programming.



COVER INSTALLATION AND FINISHING

1. Install box inner cover and secure with supplied screws. Fully tighten screws, then back off 2-3 turns.
2. Install the 2 sound insulating foam-rubber mats (from insert packaging) between the heating unit inner cover and the floor hatch.
3. Install the floor hatch, handle side up. Remove handle if not desired. If the floor hatch will be subject to damage, replace with a floor hatch made of 1/4" steel fastened to 1/2" plywood that is the same overall size as the standard floor hatch.
4. (Optional) Extend flooring over floor hatch, leaving a seam/gap at the floor hatch edges. If water resistance is desired, seal seam/gap with silicone. If desired, use standard transition trim between the hatch and the floor to cover the seam/gap.

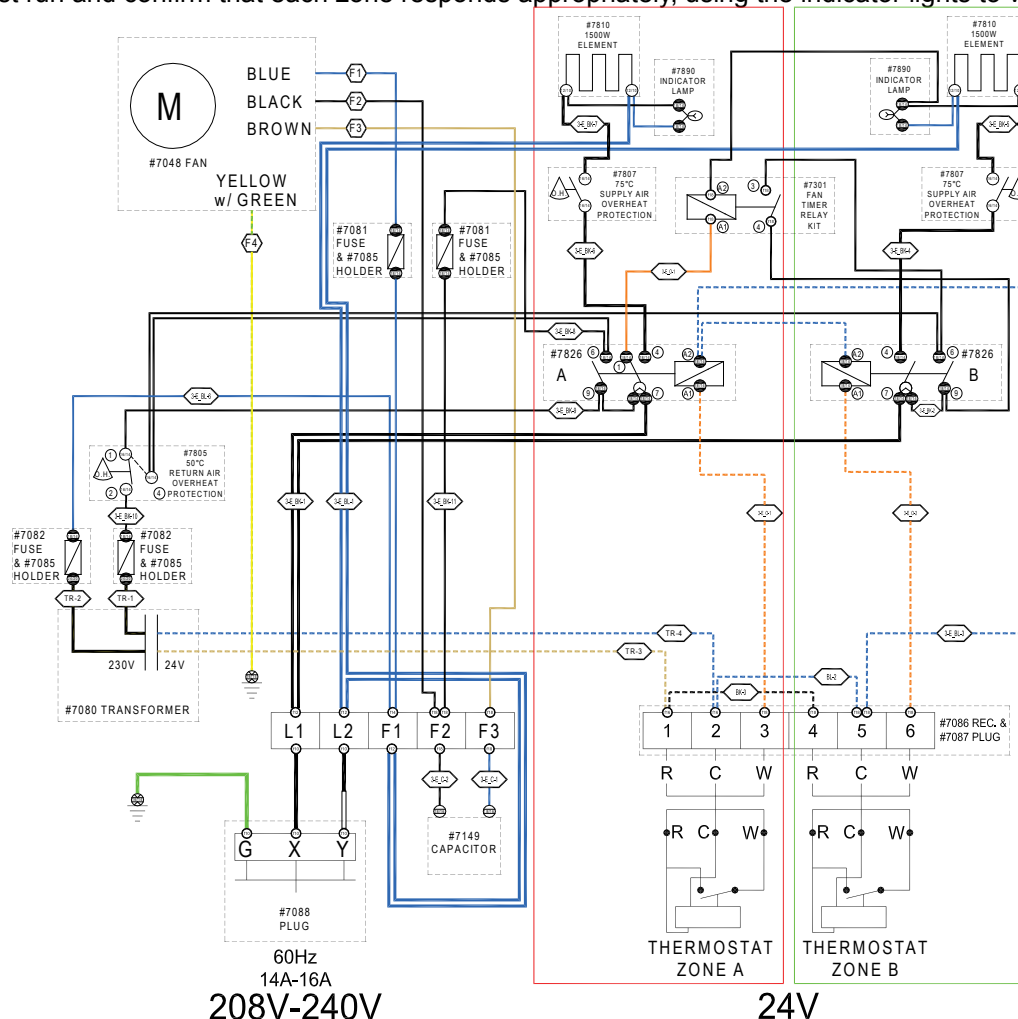
TECHNICAL DATA

Operating voltage 1 P - 230V 60Hz
 Power consumption (fan/elements/transformer) and actual heating output at rated voltage 3,400W
 Breaker size (use local spa panel or GFI breaker) .20A

Recommended supply wire capacity for temporary construction heater usage 30A
 Thermostat wire specification 3-conductor

ELECTRICAL CONNECTIONS - TO BE PERFORMED BY A QUALIFIED PERSON

1. Ensure the concrete has dried sufficiently with the construction heater prior to insert installation - **refer to the Construction Heater Product Data Sheet - strict adherence to construction heater use requirements is required for warranty validation.**
2. Clean the furnace box thoroughly, including vacuuming out the air piping with a high powered vacuum.
3. The insert plug provides the local disconnect. GFI protection is required - spa panel (Cutler-Hammer CH30SPA or equivalent) recommended.
4. If not already completed, terminate supplied 30A locking receptacle in the electrical box and install supplied cover plate.
5. Terminate thermostats in the orange control wiring plug. Remove control plug from control receptacle when terminating control wiring.
6. Plug unit into 30A receptacle in box.
7. **Seal the piping and wiring in all conduits using a duct sealing compound.**
8. **Replace temporary construction heater panel breaker with a 20A breaker. (GFI breaker if spa panel is not used)**
9. Test run and confirm that each zone responds appropriately, using the indicator lights to verify.



If 1 thermostat is used for 2 zones, or if more than one thermostat is installed in the same room, install a jumper between thermostat terminals 3 and 6.

Refer to the floor plan for thermostat locations.