

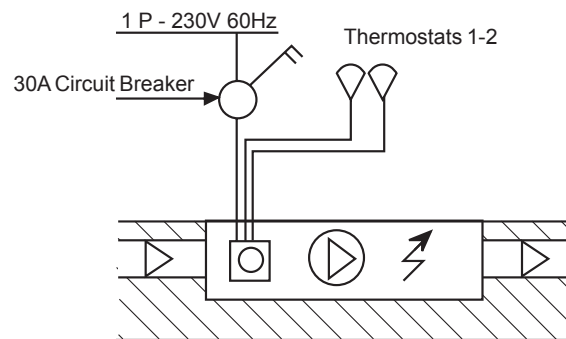


The 5200E heating unit is installed in the foundation slab or suspended floor, and contains a fan and two heating elements, with a nominal output of 5 kW, and is controlled by 1 or 2 external 24V electric room thermostats.

## FUNCTION

The 5200E is controlled by one (single zone) or two (dual zone) external 24V electric room thermostats. These external thermostats operate the heating coils and fan when the room needs heat.

The 5200E can benefit from two-tiered energy rates for night storage of less expensive energy in the LEGALETT heated floor with appropriate thermostat programming.



## COVER INSTALLATION AND FINISHING

1. Connect ground wire to inner cover and install.
2. Install the 2 sound insulating foam-rubber mats (from insert packaging) between the heating unit inner cover and the floor hatch.
3. Install the floor hatch. If the floor hatch will be subject to damage, replace with a floor hatch made of 1/4" steel fastened to 1/2" plywood that is the same overall size as the standard floor hatch.
4. (Optional) Extend flooring over floor hatch, leaving a seam/gap at the floor hatch edges. If desired, use standard transition trim between the hatch and the floor to cover the seam/gap.

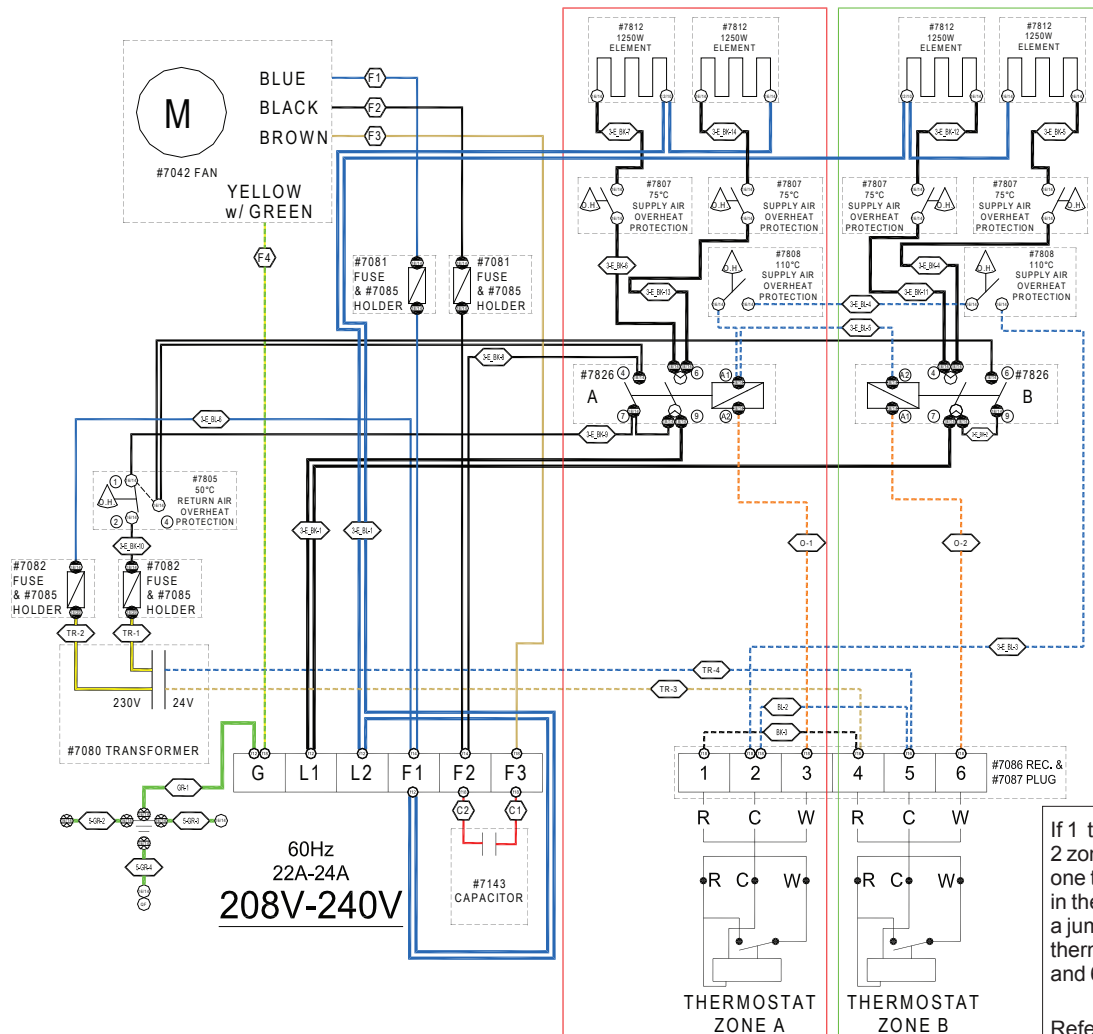
## TECHNICAL DATA

Operating voltage ..... 1 P - 230V 60Hz  
 Power consumption (fan/elements/transformer) and actual heating output at rated voltage ..... 5,500W

Breaker rating (GFI required) ..... 30A  
 Thermostat wire specification - minimum 3-conductor

## ELECTRICAL CONNECTIONS - TO BE PERFORMED BY A QUALIFIED PERSON

1. Ensure the concrete has dried sufficiently with the construction heater prior to insert installation - **refer to the Construction Heater Product Data Sheet - strict adherence to construction heater use requirements is required for warranty validation.**
2. Clean the furnace box thoroughly.
3. Install a properly sized two-pole local disconnect to enable total isolation for servicing. GFI protection is required. (Local Spa Panel accepted for both purposes)
4. Terminate power wiring, including connecting ground jumpers to box male spade tab AND attach male spade tab to lid.
5. Terminate thermostats in the orange control wiring plug. Remove control plug from control receptacle when terminating control wiring.
6. **Seal the piping and wiring in all conduits using a duct sealing compound.**
7. **Replace temporary construction heater breaker with a 30A GFI breaker. (Local Spa Panel accepted instead)**
8. Test run and confirm that each zone responds appropriately, using a voltmeter across the elements to verify.



If 1 thermostat is used for 2 zones, or if more than one thermostat is installed in the same room, install a jumper between thermostat terminals 3 and 6.  
 Refer to the floor plan for thermostat locations.