

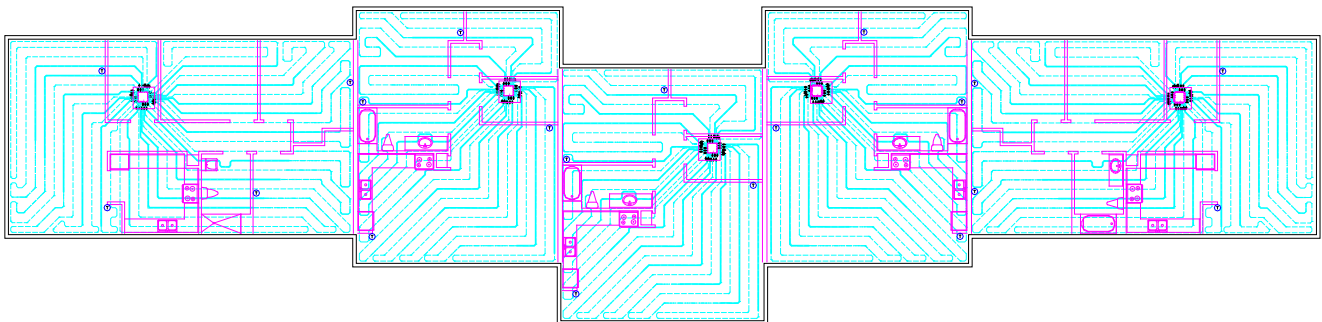
The New Credit First Nations housing council developers decided to build a state of the art housing complex using the Legalett air-heated "Slab on Grade" system and 6" SIPS wall framing system.

The mechanical aspect consists of 1 Legalett water coil heater per unit, each with four independent zones controlled by programmable thermostats.

Long term benefits of choosing the Legalett system:

- Quicker construction times (No footings required)
- Lower heating costs (Programmable Thermostats + SMART Meters)
- Warm comfortable floors

Location: **Hagersville, ON**
 Heated "Slab on Grade" Area: **5,825 sq. ft.**
 Sales Representative: **Keith Sanchagrin - KeiGee Sales, Barrie, ON**
 Installer: **Authentic Construction**



" Designed for Comfort, Engineered for Simplicity "

www.LEGALETT.COM

• 1-866-299-7567 • sales@legalett.ca